

Thunder




TRAMPOLINE
TENT

ASSEMBLY MANUAL



The Vuly trampoline tent is designed neither as a weather cover, nor to extend the life of the trampoline. It is intended for recreational use only (e.g. as a cubby house, accessory for camping out, etc.).

WEATHER CARE

-  Refrain from leaving the tent on your trampoline for longer than 24 hours at a time. Extended exposure to the sun may fade the material.
 -  Remove your tent when it rains. Water can pool on the roof, and damage your safety net poles.
 -  Remove your tent if it is windy. The tent can increase the chance of your trampoline tipping over. We recommend using our Spiral Anchor Kit to secure your trampoline in windy conditions.
-

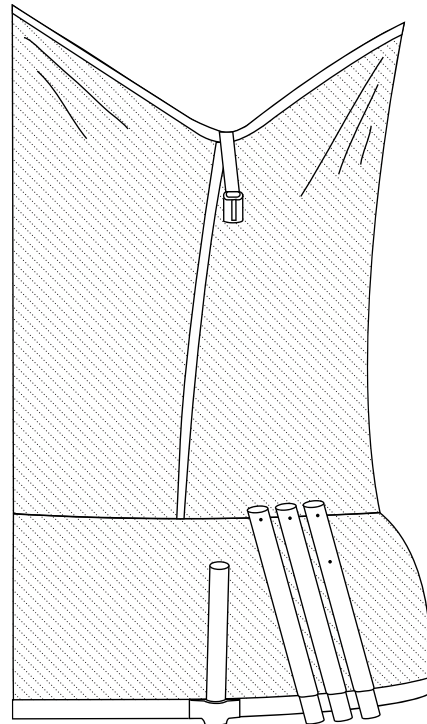
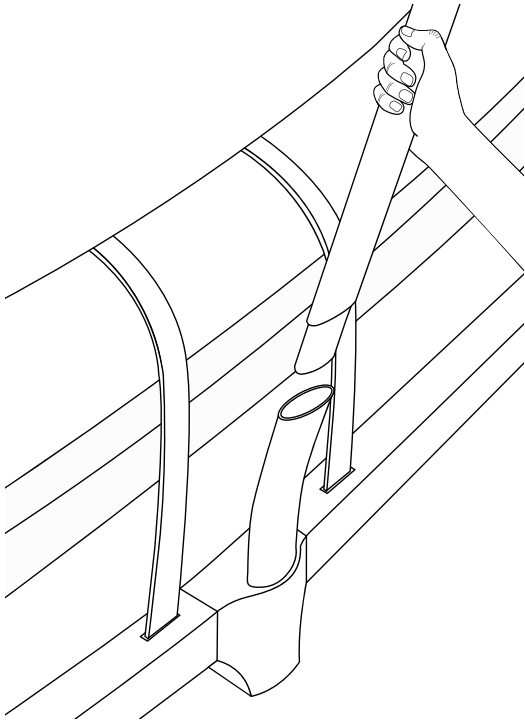
Safety Notice

The Vuly Trampolines Deluxe Tent is not designed to offer full protection from the sun. When using the trampoline and tent, Vuly recommends wearing appropriate clothing, headwear and sunscreen to protect your skin from harmful UV light.

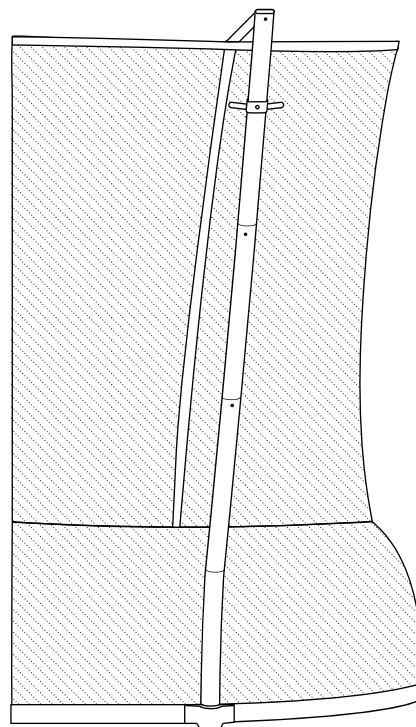
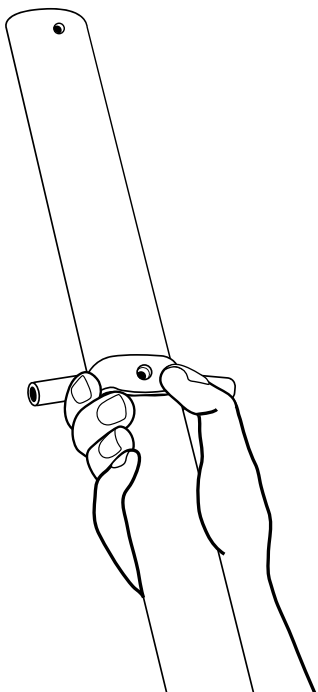
STEP | 1

HALO POLES

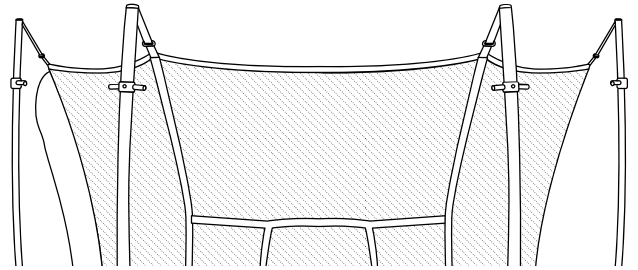
A) Remove any lower net pole from its joiner, and the corresponding middle net pole from the upper net pole.



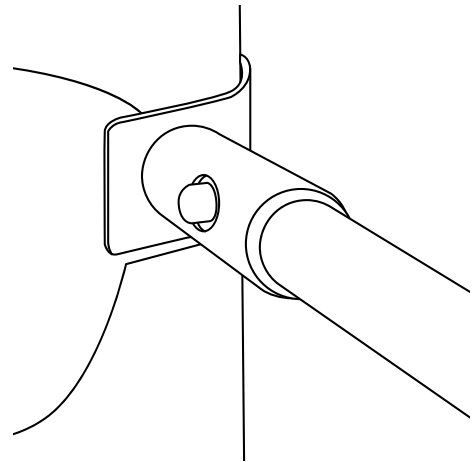
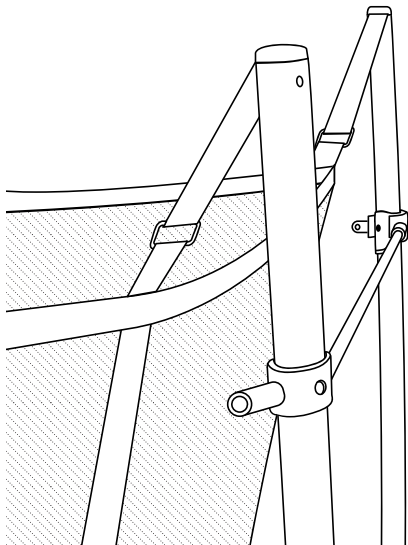
B) Place a halo connector over the top of the upper net pole. Push down until the hole in the halo connector lines up with the hole in the upper net pole. Reattach the upper, middle and lower net poles. Reinsert the lower net pole into the joiner.



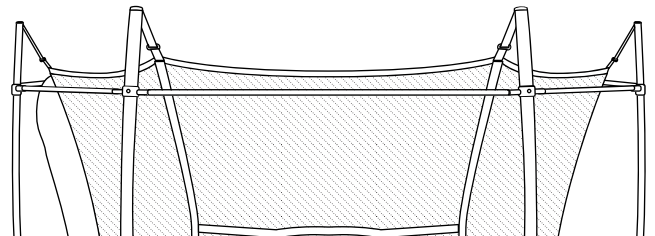
C) Repeat A & B until all halo connectors are in place.



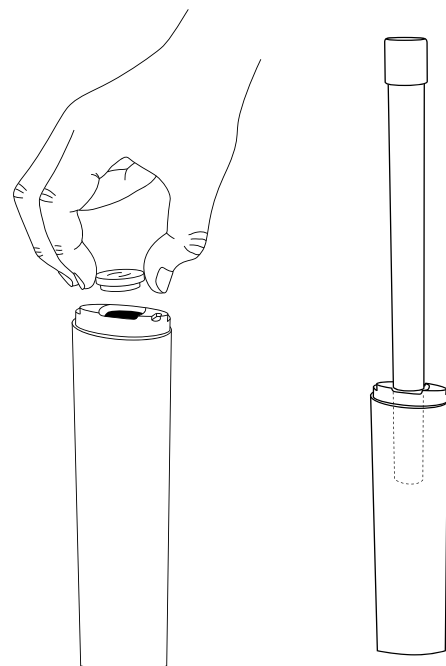
D) Stand on a ladder, and insert any halo pole into a halo connector. Position it so that the push button aligns with the corresponding halo ring. Push down until you see the spring button in place.



E) Repeat D until you have secured all the halo poles in place.



NOTE: : If you have an **XL Thunder**, you will need to remove the circular inner plug of each upper net pole, and insert the extender poles, before the moving onto the next Steps.

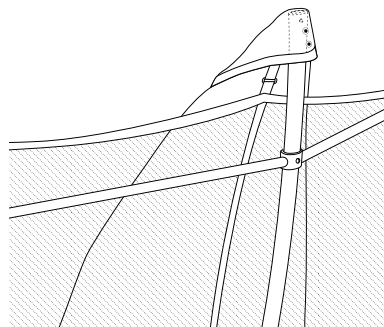
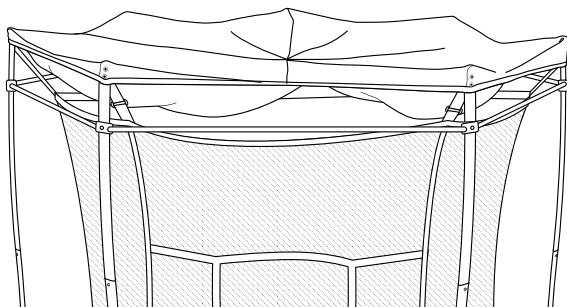


STEP | 2

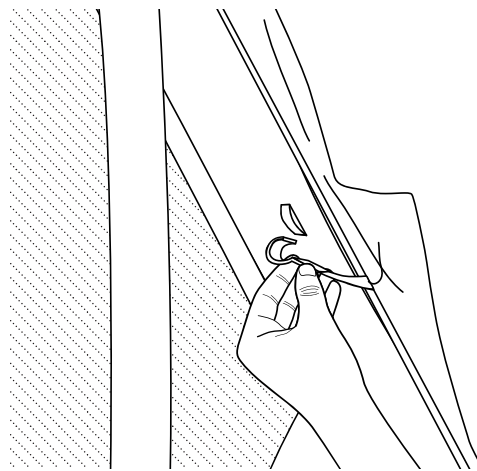
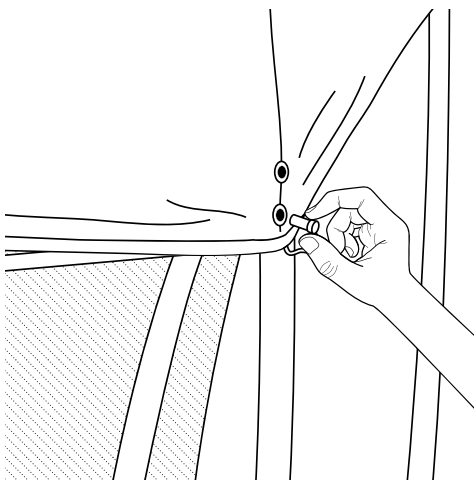
TENT

A) Stand inside the trampoline with your tent roof. Find one of the corners of the tent roof, and place it over an upper net pole. Repeat for each upper tent pole around the trampoline.

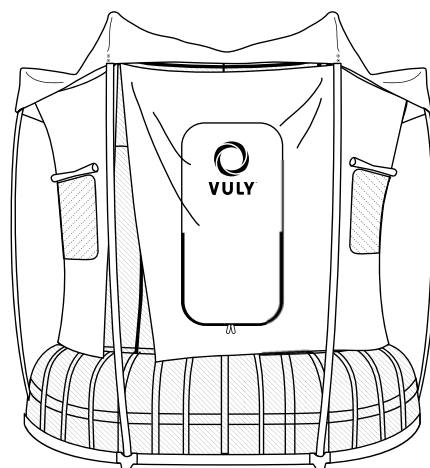
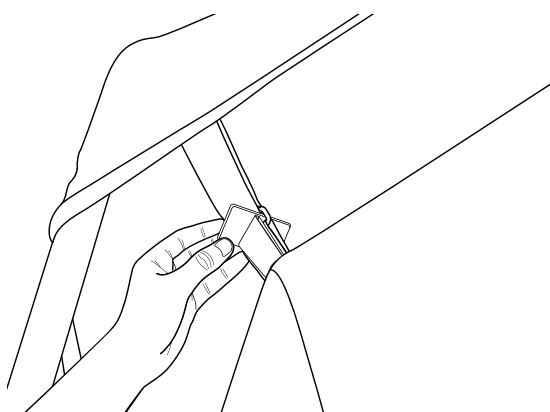
Tip: If you can't reach the top of the upper net pole, use an A-frame ladder from the outside of the trampoline.



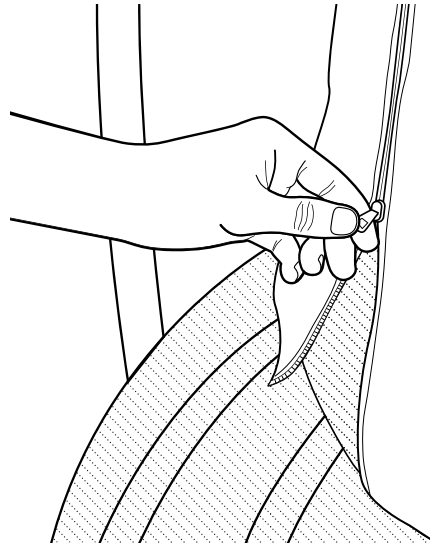
B) Stand on a ladder, and secure each roof corner by pulling it down and fixing the tent bolt through the bottom tent eyelet and into the halo connector. Affix the pegs in between the tent corners around the middle of the halo pole and into the loop.



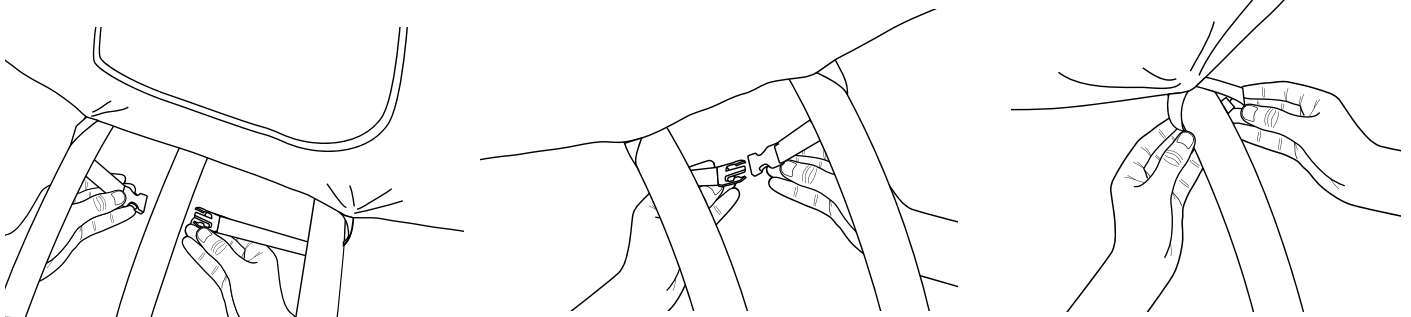
C) Take the side walls, and align the door of the tent with the net entrance. Attach the corner of the tent walls by feeding the plastic tent wall connector through the net strap. Continue until the final tent wall connector is in place.



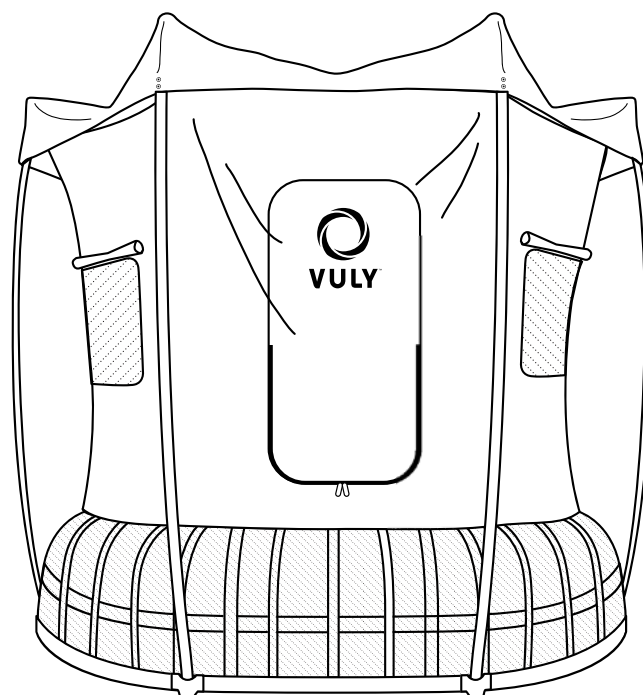
D) Zip up the tent walls.



E) Clip the door around three leafsprings. Ensure that you pull the strap tight to secure it. Clip the rope sections around two other leafsprings, and attach the Velcro around both leafsprings.



Tip: If you want your tent windows up, unstick the Velcro from the Velcro clip on the corners. Squeeze the rope lock on the bottom left of the window, and pull the rope to raise the window. Roll the window, and stick it to the Velcro. Repeat this step for each window.

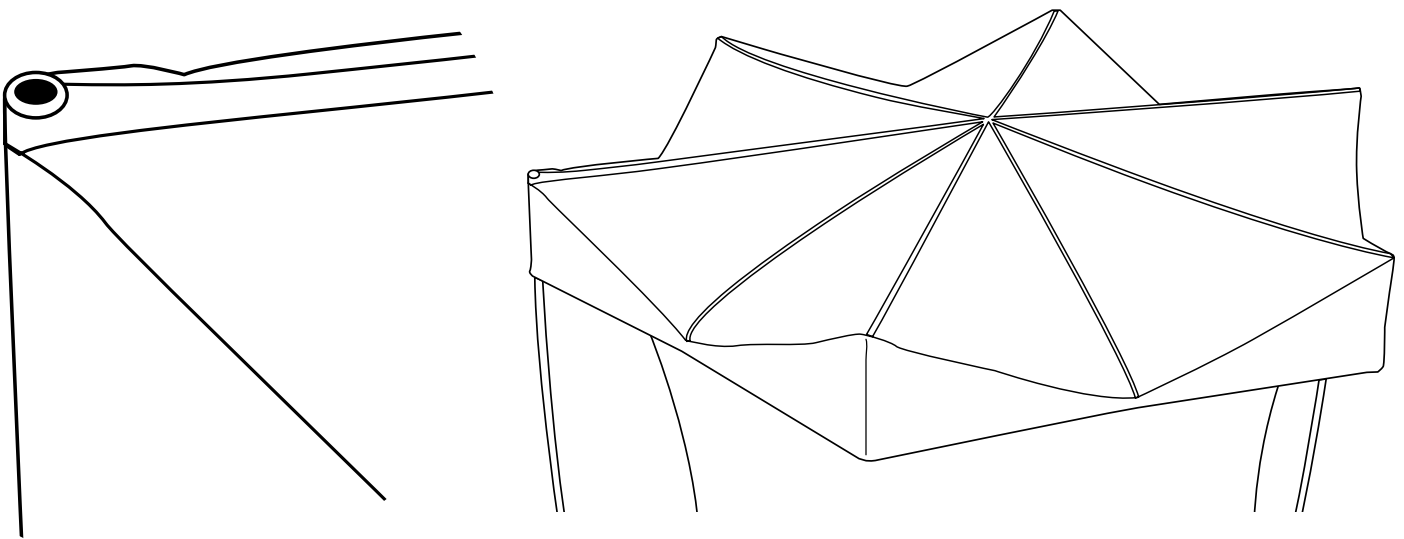


STEP | 3

FIBREGLASS SUPPORT

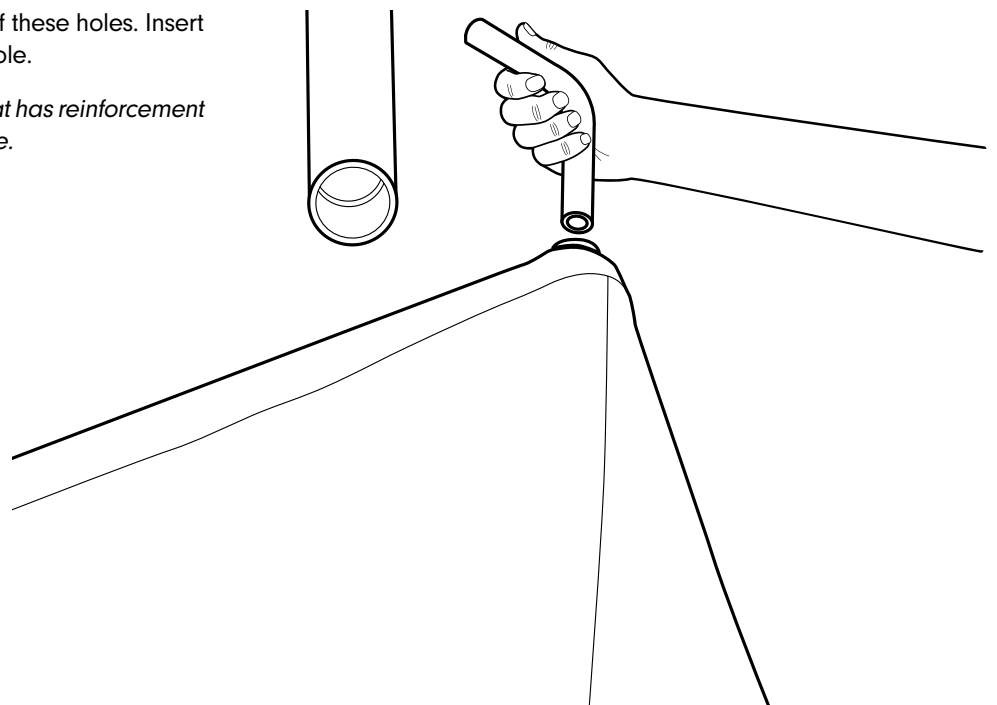
If yours is our new Deluxe Tent model with fibreglass rods, after you have installed your tent roof:

A) Stand on an A-frame ladder, with one (1) L-shaped support piece and all five (5) fibreglass rods. Find the corner of the tent with holes atop the net poles.

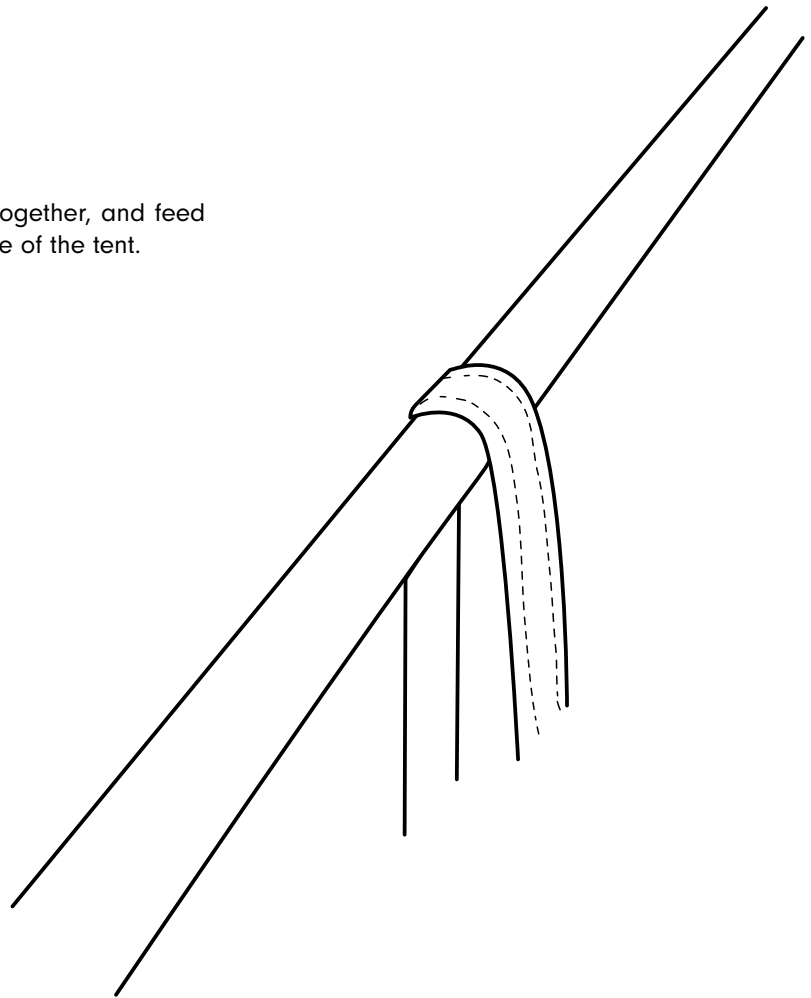


B) Move your A-frame ladder to one of these holes. Insert the L-shaped support piece into the hole.

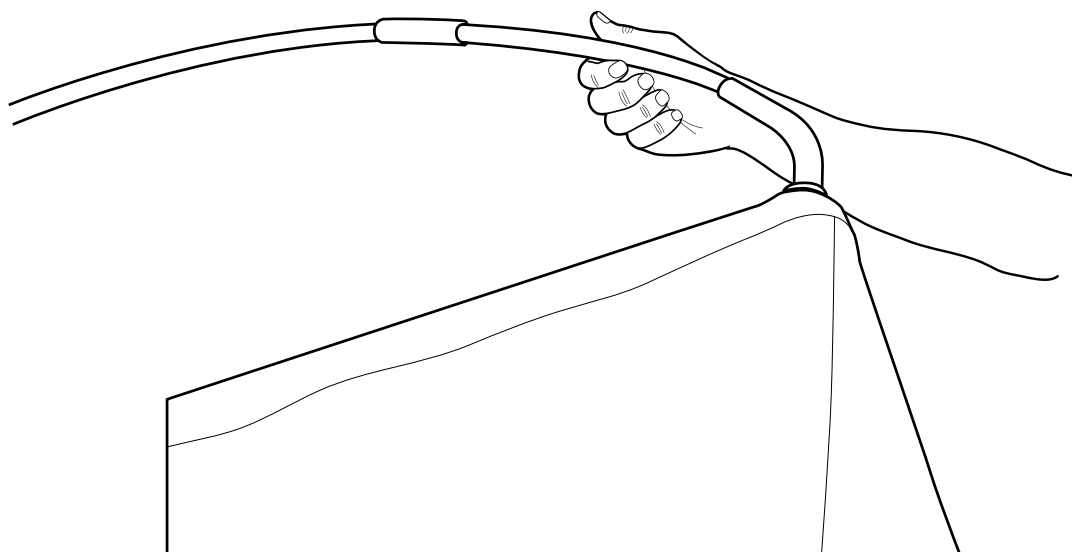
Remember: You must insert the end that has reinforcement on the inside of the piece into the hole.



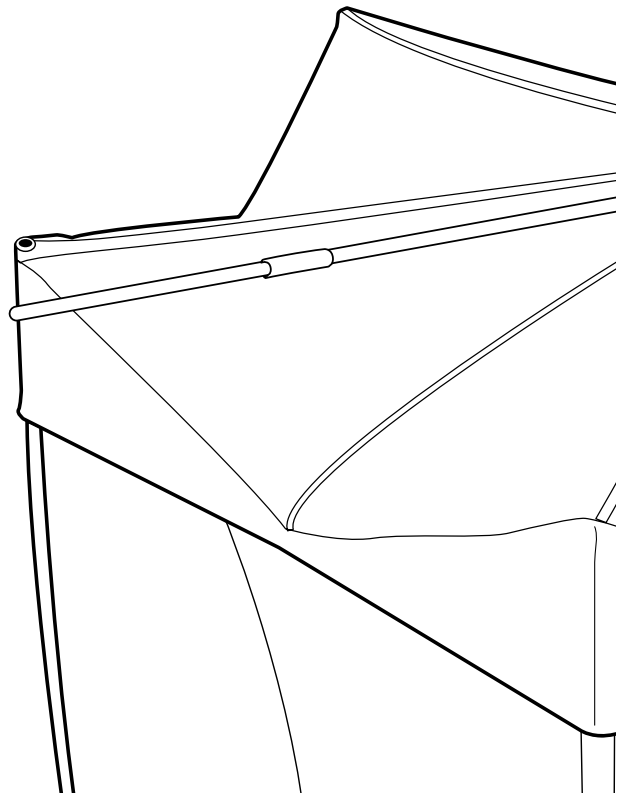
C) Connect all the fibreglass rod components together, and feed the completed rod through the loop in the centre of the tent.



D) Insert the end of the completed rod that you're holding into your already attached L-shaped support piece.

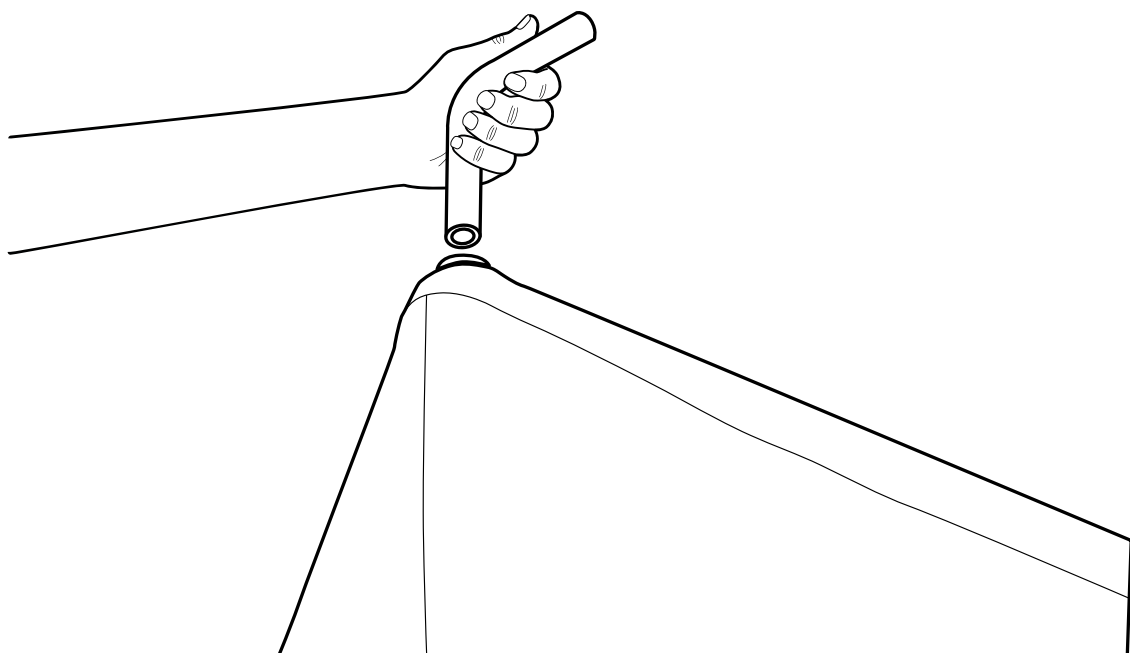


E) Take your other L-shaped support piece, and move your A-frame ladder to the opposite side of the trampoline. Find the other hole in the tent and net pole.

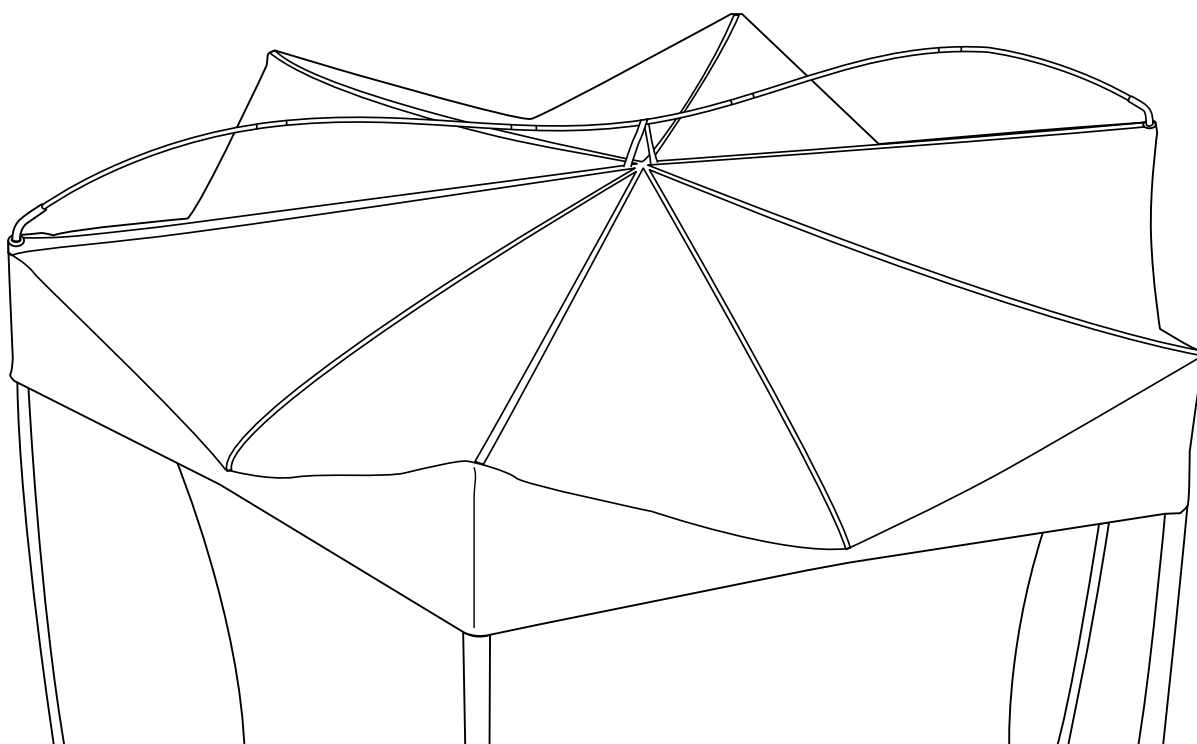
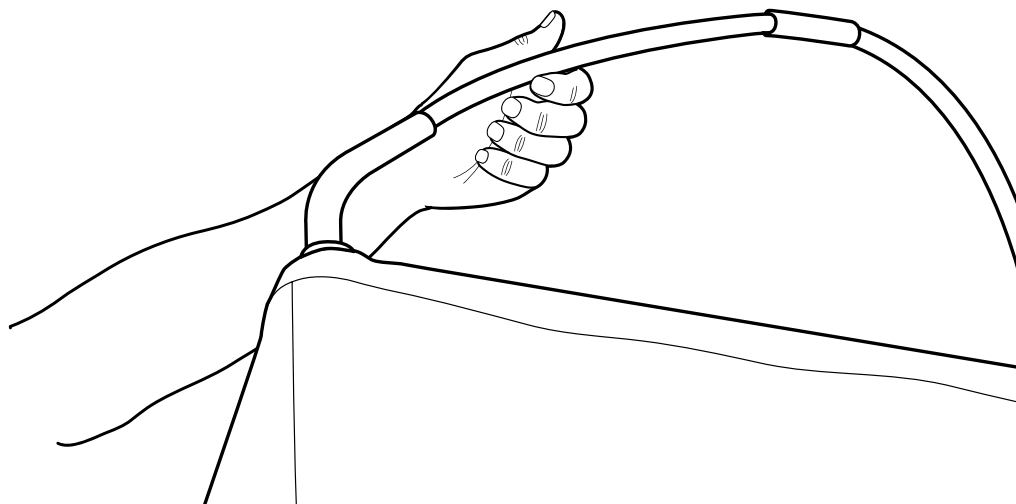


F) Insert the L-shaped support piece into the hole.

Remember: You must insert the end that has reinforcement on the inside of the piece into the hole.



- G)** Bend the completed rod, and insert it into the L-shaped support piece attached to the net pole and tent. Your connected rods should form an even 'M' shape over the tent.



CONGRATULATIONS!

You have finished assembling your Vuly Tent.





vulytrampolines.com