

# TRAMPOLINE **LADDER**

---

ASSEMBLY MANUAL

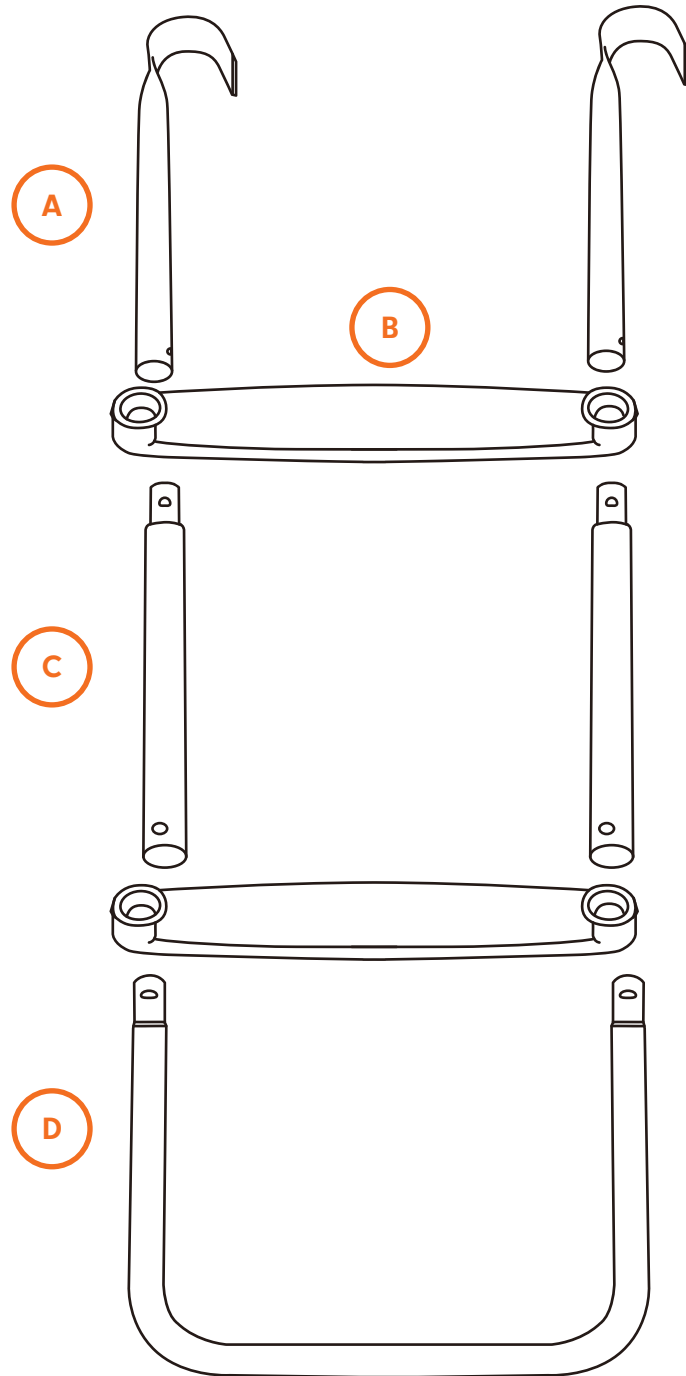
---



## STEP | 1

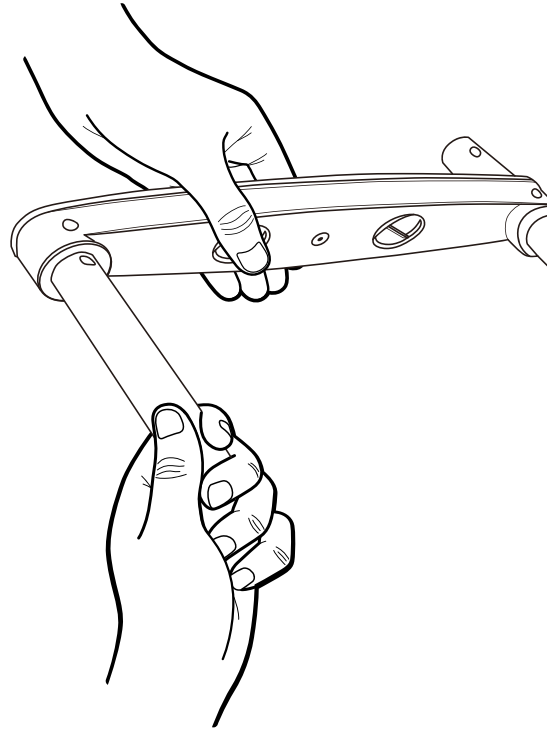
Unpack the components from your ladder box. Your box should contain:

- A - 2x hook poles**
- B - 2x plastic steps**
- C - 2x middle poles**
- D - 1x u-shaped pole**



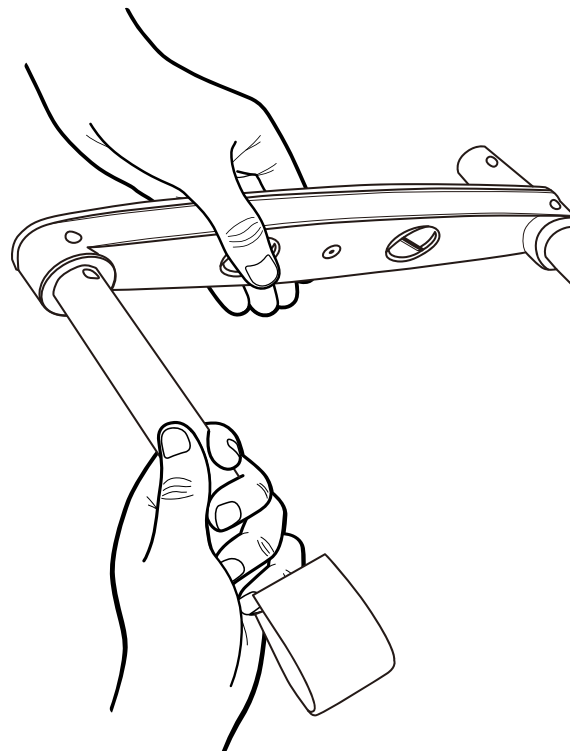
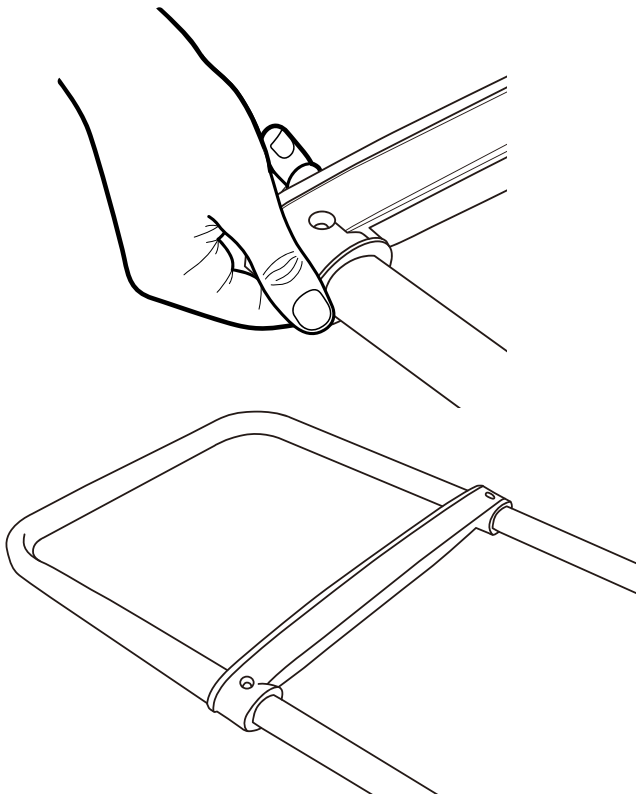
## STEP | 2

Take both of the middle poles and a plastic step. Insert the larger ends of the middle poles into each hole of the plastic step. Ensure that the holes in the middle poles line up with the holes in the plastic step.



## STEP | 3

Take both of the middle poles and a plastic step. Insert the larger ends of the middle poles into each hole of the plastic step. Ensure that the holes in the middle poles line up with the holes in the plastic step.

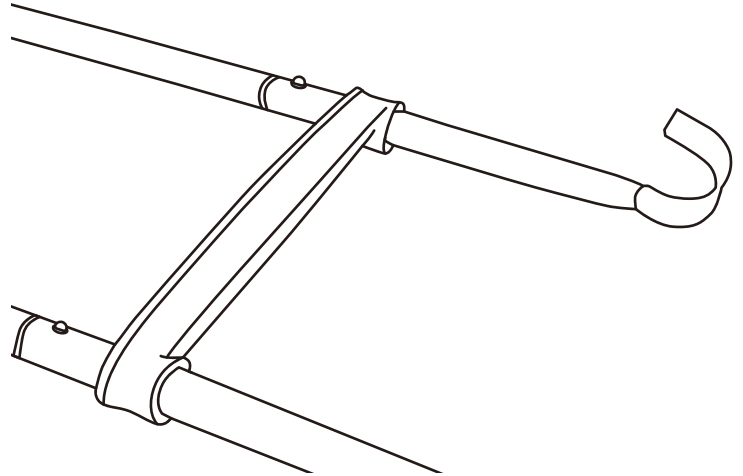


## STEP | 4

Take both of the hook poles and a plastic step. Insert the straight ends of the hook poles into each hole of the plastic step. Ensure the holes in the hook poles are on the same side as the holes in the plastic step.

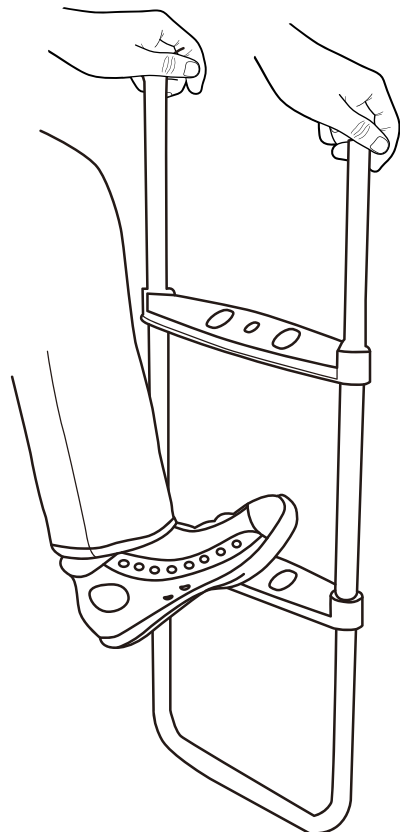
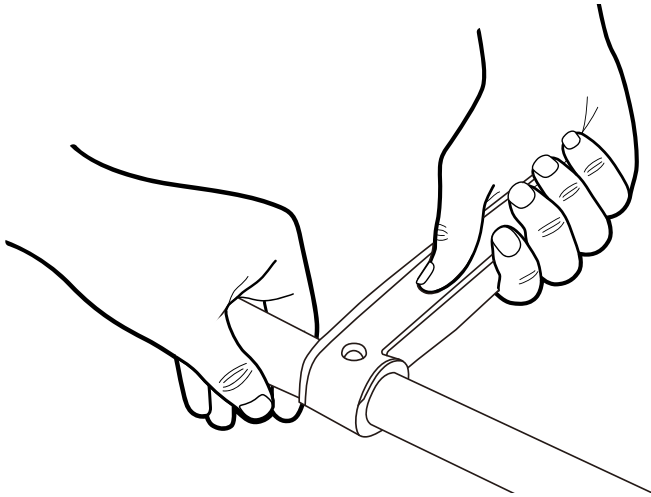
## STEP | 5

Take the lower half of the ladder and insert the ends with the push buttons inside the hook poles. Push the buttons down to allow the hook poles to slide over the middle poles until the buttons pop out.



## STEP | 6

Push the buttons in and slide the step down until the buttons pop out to hold the step in place.



## STEP | 7

Test the steps to make sure they are strong. Find the doorway to your safety net. Lift up your safety pads and place the hooks of the ladder over your trampoline curved pole. Pull the ladder out from the trampoline by its base to make sure it touches the ground as far away from the trampoline frame as possible.

# CONGRATULATIONS!

You have finished assembling your Vuly Ladder.





[vulytrampolines.com](http://vulytrampolines.com)